

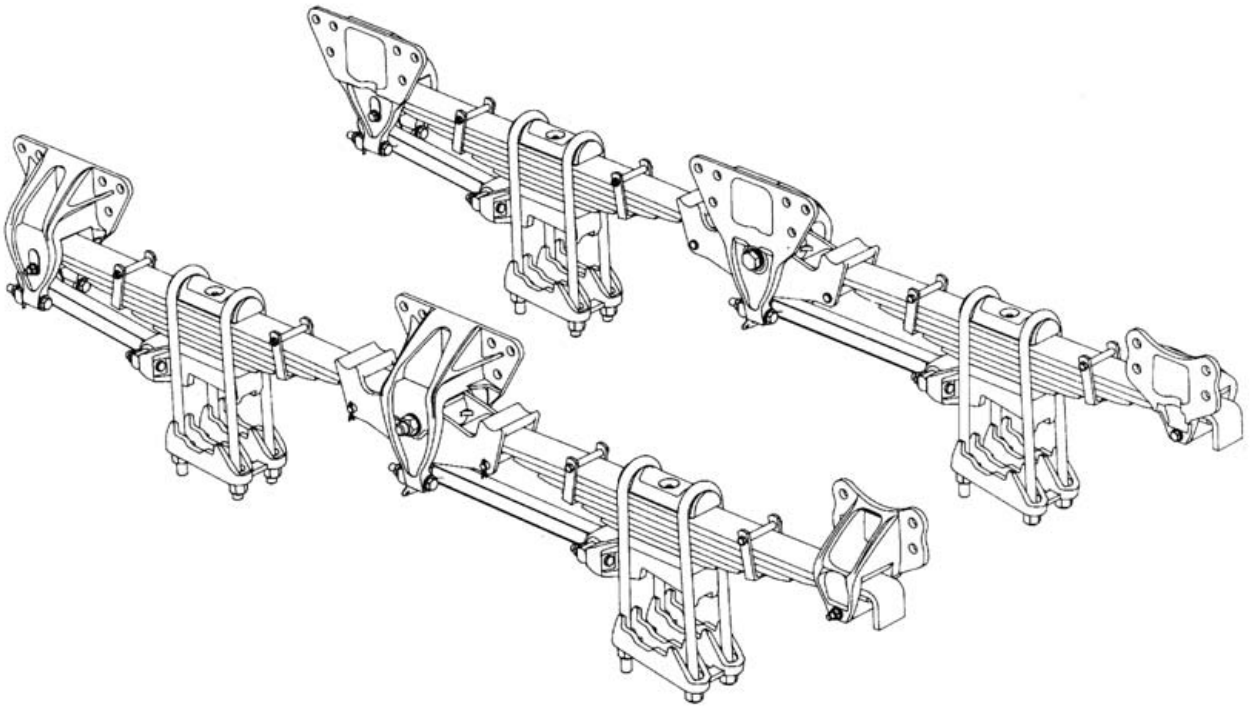
PARTS LIST

HFS-360/40LH/400

LIT NO: SP-148

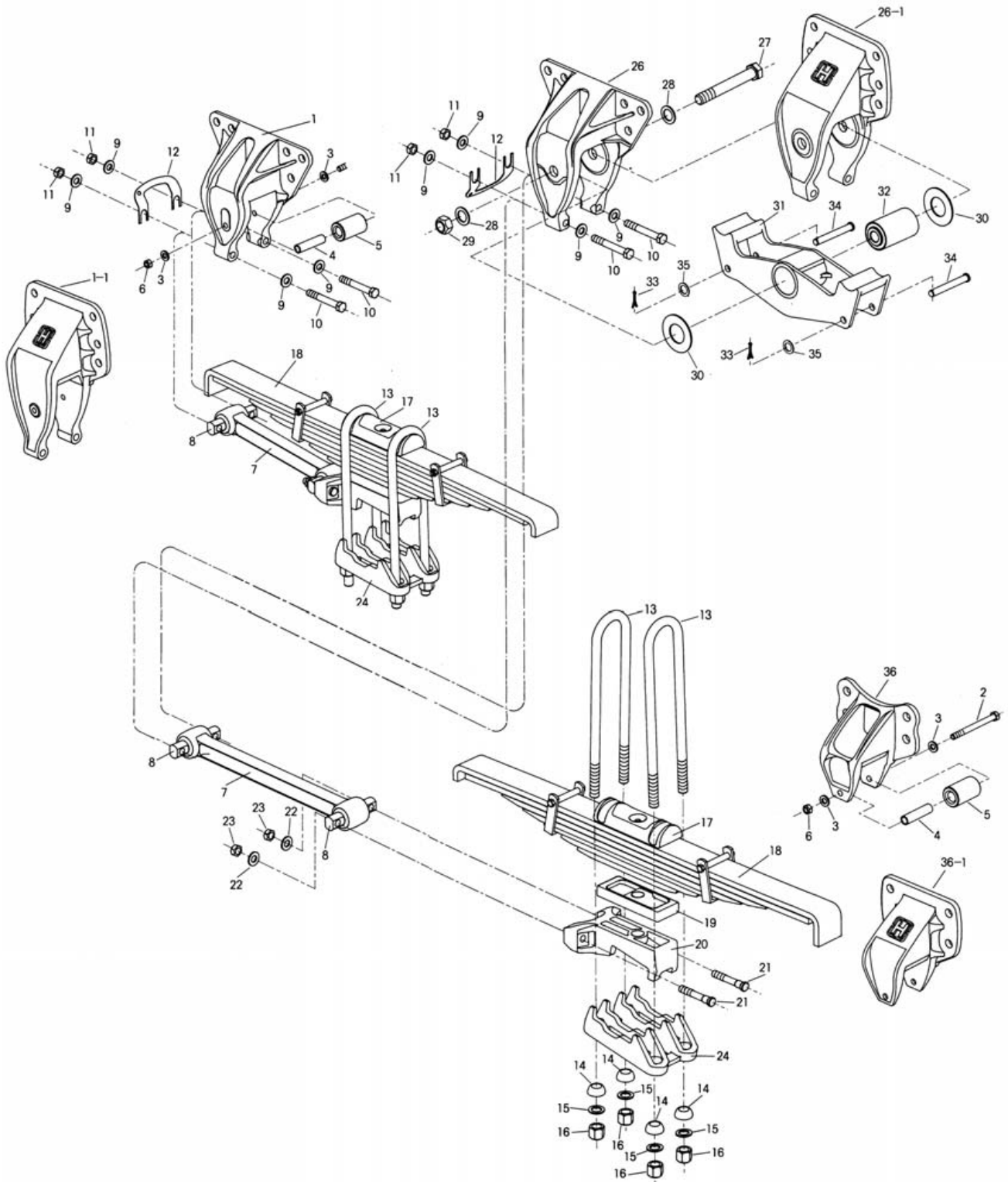
DATE: April 2004

REVISION: D



For The Road Ahead™

 HENDRICKSON



KEY NO.	PART NO.	DESCRIPTION	NO.REQ.	KEY NO.	PART NO.	DESCRIPTION	NO.REQ.
1		Front Spring Hanger	2	21	49063-000	Spring Seat Bolt	8
	56667-001	Casting No. 49848-000 (HFS-360) (Replaces 50027-001)		22	22962-004	5/8" Hardened Flat Washer	8
	56667-001	Casting No. 56666-000 (HFS-360)		23	47764-000	Axle Cap Nut	8
	56670-001	Casting No. 50291-000 (HFS-400) (Replaces 50292-001)		24		Axle Bottom Cap	4
	56670-001	Casting No. 56669-000 (HFS-40LH/400)			50216-000	(Rockwell RT34-145, RT40-145) LHF/RHF/LHR/RHR 0-9.5° Pinion Angle	
1-1	56673-001	Casting No. 56672-000	2		50222-000	LHR/RHR 10-12.5° Pinion Angle (Rockwell SL-100, SQ-100, Eaton D341, D402)	
	56830-	Casting No. 56829-000 (Specify Customer)			50216-000	LHF/RHR 0-9.5° Pinion Angle	
	49175-013	Rebound Roller Kit	1		50217-000	RHF 0-9.5° Pinion Angle	
		(Replaces 49175-005) (Includes Key Nos. 2, 3, 4, 5, 6)			50222-000	LHR 0-9.5° Pinion Angle (Replaces 50218-000)	
2	24531-015	Rebound Bolt	4		50221-000	LHR 10-12.5° Pinion Angle	
3	22962-014	1/2" Hardened Flat Washer	8		50222-000	RHR 10-12.5° Pinion Angle	
4	57988-000	Rebound Bolt Spacer	4	25		Center Spring Hanger and Equalizing Beam Assembly (Includes Key Nos. 26, 27, 28, 29, 30, 31)	2
		(Replaces 47458-000)			50026-001	HFS-360, 40LH	
5	57989-000	Rebound Roller	4		50026-001	HFS-400 (Replaces 50026-002)	
		(Replaces 48883-000)		25-1	50681-001	HFS-360, 40LH	
6	49846-000	Rebound Bolt Nut	4		50681-001	HFS-400 (Replaces 50681-002)	
		(Replaces 46578-000)		26		Center Spring Hanger	2
7		Shim Type Adjustable Torque Rod Assembly			56676-001	Casting No. 50289-000 (Replaces 50290-001)	
	48411-006	14.41" Front			56676-001	Casting No. 56675-000	
	48411-007	20.31" Rear		26-1	56833-003	Casting No. 56832-000	2
8	47691-000	Torque Rod Bushing	8		56927-	Casting No. 56926-000 (Specify Customer)	
8	49176-001	Torque Rod Fastener Kit	1				
		(Includes Key Nos. 9, 10, 11)		27	30550-035	Center Bushing Bolt	2
9	22962-004	5/8" Hardened Flat Washer	16	28	22962-006	1" Hardened Flat Washer	4
10	32043-005	Torque Rod Bolt	8	29	08017-000	Center Bushing Nut	2
11	47764-000	Torque Rod Nut	8	30	47416-000	Thrust Washer	4
12	49689-000	Torque Rod Shim	As Req.	31		Equalizing Beam Assembly (Casting No. 49801-002) (Includes Key Nos. 32, 33, 34, 35)	2
	48718-	U-Bolt Assembly			49803-002	HFS-360, 40LH	
		(Includes Key Nos. 13, 14, 15, 16)			49803-002	HFS-400 (Replaces 49803-003)	
13		U-Bolt (Specify Length)	16	32		Center Bushing	2
	49684-	3/4" U-Bolt HFS-40LH			47420-000	HFS-360, 40LH	
	47417-	7/8" U-Bolt HFS-360, 400			47420-000	HFS-400 (Replaces 48402-000)	
14	48574-000	Spherical Washer	16	33	17800-013	Cotter Pin	4
15	22962-002	1/8" Hardened Flat Washer	16	34	50432-000	Clevis Pin	4
16	50765-000	U-Bolt Nut	16	35	50924-000	5/8" Hardened Washer	4
17	50788-000	Top Pad (Included With Key No. 18)		36		Rear Spring Hanger	2
18		HFS Spring Assembly	4		50028-001	Casting No. 49954-000	
	50795-000	HFS-360, 40LH 36,000# Capacity		36-1	48530-004	Casting No. 48991-000 (Replaces 47436-003)	2
	50796-000	HFS-400 40,000# Capacity			48530-	Casting No. 48529-000 (Specify Customer)	
19		Spacer	As Req.				
	48902-000	1"					
	48903-000	1 1/2"					
20		Spring Seat Front (Rockwell SL, SQ-100, RT34-145, RT40-145, Eaton D341, D402) (Includes Key Nos. 21, 22, 23)	2				
	50569-001	Casting No. 50567-000, 2.25° Pinion Angle					
	50569-004	Casting No. 50567-000, 3.25° Pinion Angle					
	50569-007	Casting No. 50567-000, 4.00° Pinion Angle					
	50569-010	Casting No. 50567-000, 5.00° Pinion Angle					
	50569-010	Casting No. 50567-000, 5.00° Pinion Angle					
	50575-001	Casting No. 50573-000, 9.50° Pinion Angle					
	50575-004	Casting No. 50573-000, 10.50° Pinion Angle					
	50575-009	Casting No. 50573-000, 12.00° Pinion Angle					

This is a general Parts list to provide directional information. Components may vary slightly. For questions, contact tech services at 630-910-2800 or email at techservices@hendrickson-intl.com.



Information contained in this literature was accurate at the time of publication. Product changes may have been made after the copyright date that are not reflected.

www.hendrickson-intl.com