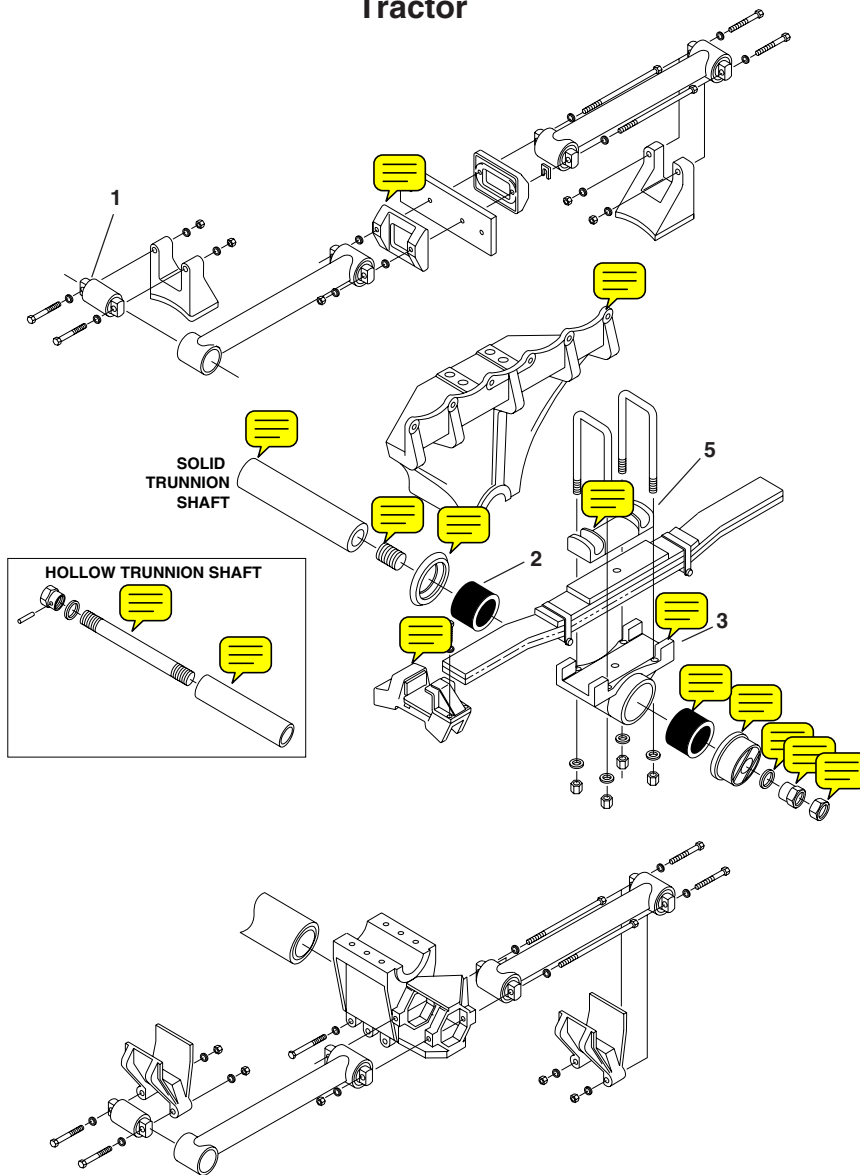


KENWORTH "BIG 6" SUSPENSION

Product Code 714

Tractor

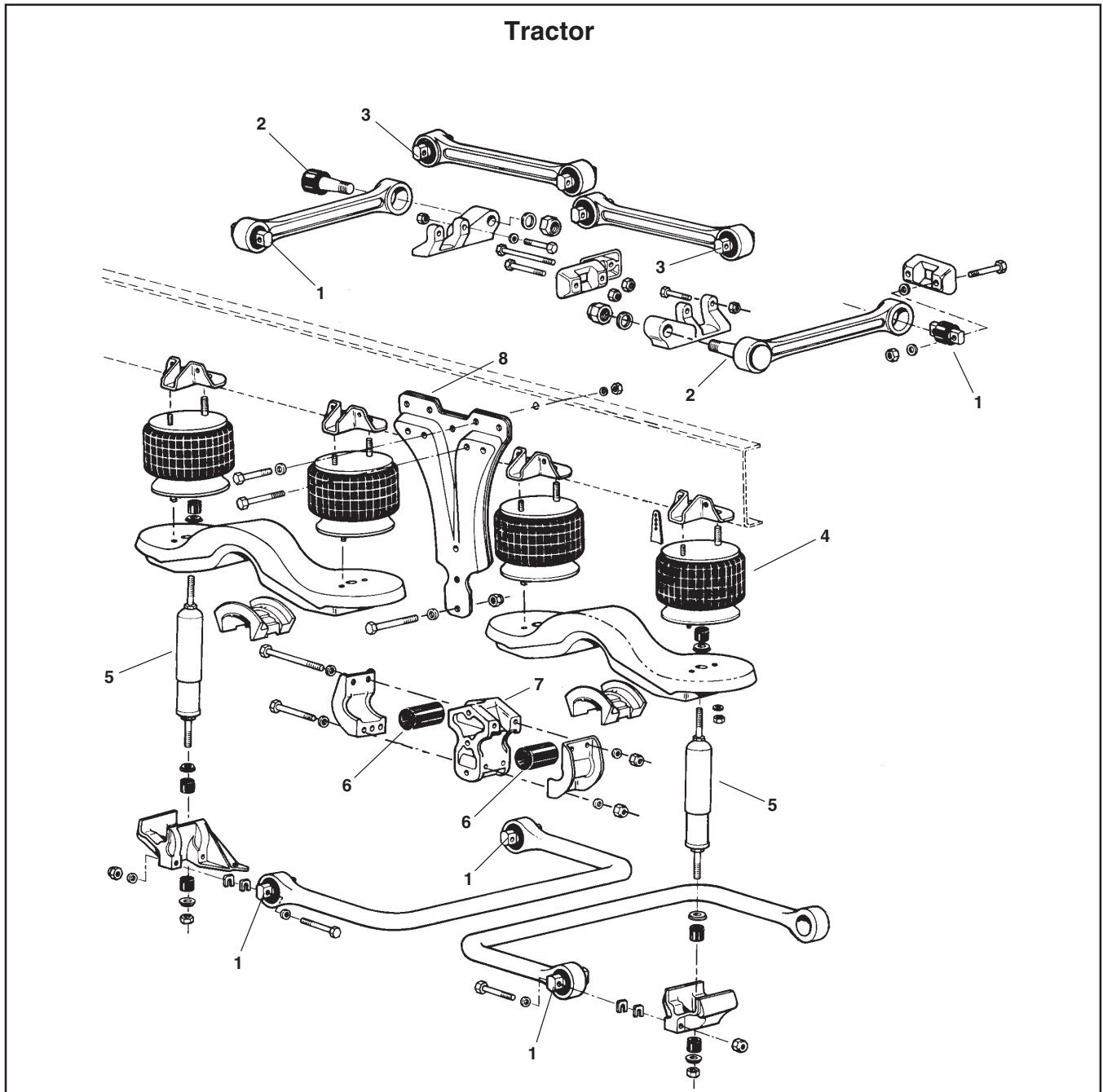


KEY NO.	EUCLID NO.	REPLACES KENWORTH NO.	DESCRIPTION	QUANTITY PER TANDEM	PAGE NO.	
1	E-2226 (Rubber)	Gould 227720	Torque Arm Bushing	16	8-207	
	E-7639 (Poly)				8-207	
	E-9321 (Rubber)	Rockwell A-2297-K-1051			8-207	
	E-8655 (Poly)				8-552	
	E-9322				Rockwell A-2297-X-3664	8-207
	E-9323				Rockwell A-2297-V-4806	8-207
					Rockwell A-2297-K-1052	8-207
E-9324	Gould 932420	8-207				
2	N/A	K066-232	Rubber Trunnion Bushing	4	—	
3	N/A	K360-20	Trunnion	2	—	

KENWORTH AIRGLIDE® 100 AIR RIDE SUSPENSION

Product Code 714

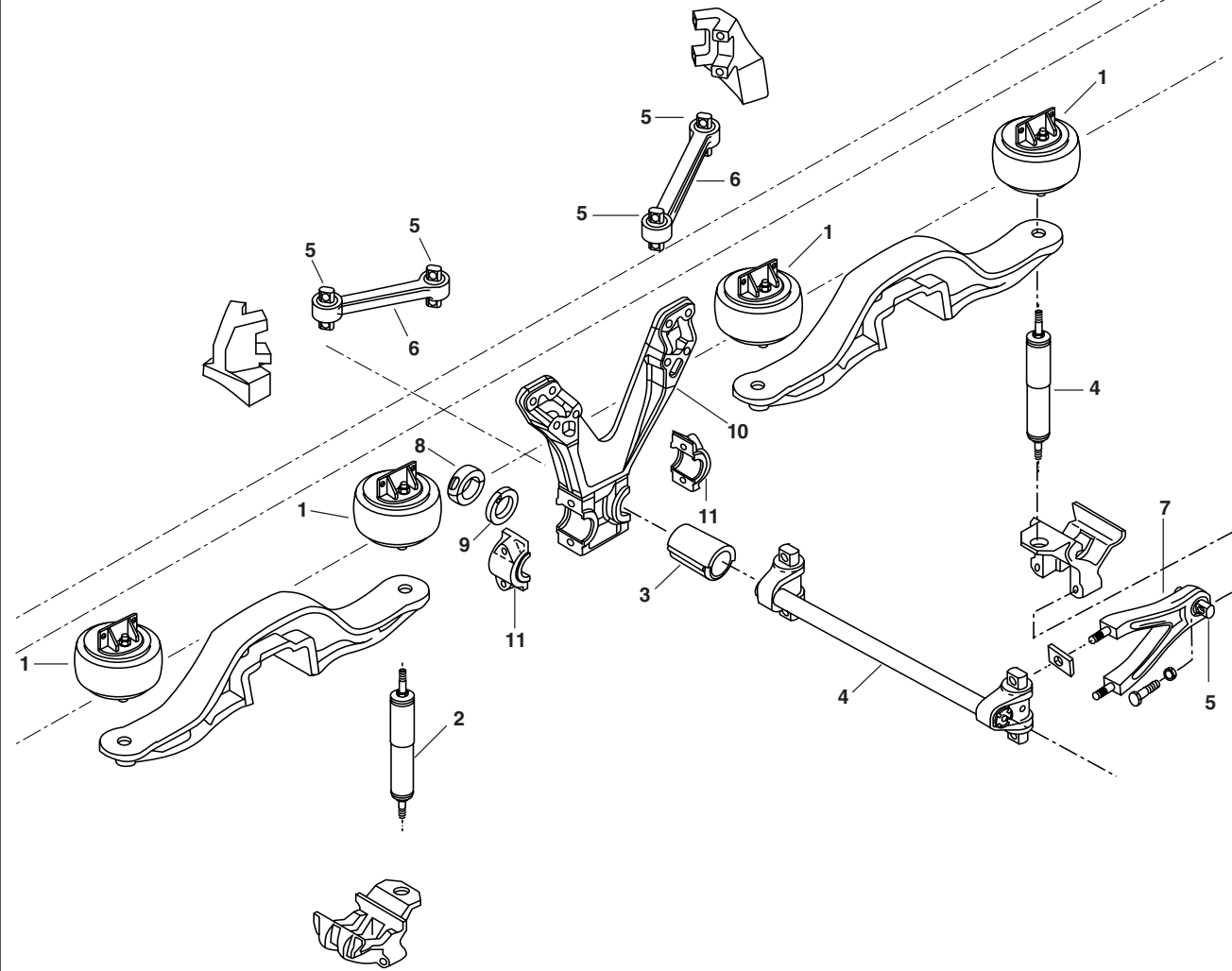
Tractor



KEY NO.	EUCLID NO.	REPLACES KENWORTH NO.	DESCRIPTION	QUANTITY PER TANDEM	PAGE NO.
1	E-2226	227720	Torque Arm & Stabilizer Rod Bushing	6	8-207
2	E-2228	229610	Torque Arm Bushing, Tapered	2	8-207
3	E-4664	227722	Torque Arm Bushing, Aluminum Pin	8	8-207
4	E-FS9422	K303-6, 14, 15	Air Spring to 1994	8	—
	E-FS9616	Kk303-16	Air Spring with Bracket, 1995 and up		
5	85310	K374-87	Fleetline Shock Absorber	4	8-570
	89423	K374-7,9,29	GasSLX Shock Absorber	4	8-566
6	E-4669	K066-58	Rubber Stabilizer Bushing, Black	4	8-208
	E-7446A	K066-449	Urethane Stabilizer Bushing, Yellow	4	8-208
7	E-10767	K197-2943	Stabilizer Bar Bracket, Aluminum	2	—
8	E-10766	K272-145	Center Support Bracket, Stamped Steel to 1994	2	—

KENWORTH AIRGLIDE® 200 AIR RIDE SUSPENSION

Tandem



N/A Not Serviced by Euclid

Product Code 714

KEY NO.	EUCLID NO.	REPLACES KENWORTH NO.	DESCRIPTION	QUANTITY PER TANDEM	PAGE NO.
1	E-FS9617	K303-18	Air Spring 86 through 97, 3/4"-16 air inlet	8	—
	E-FS9618				
	E-FS9622	K303-22	Air Spring 98 & up, 1 5/16"-22 air inlet		
	E-FS9625				
2	85900	70701	Gas-Magnum 65 Shock Absorber	4	8-571
		665944			
		665903			
3	E-10302	K066-450	Sway Bar Bushing-Urethane	4	—
4	N/A	K202-2548	Sway Bar Rod Assembly	2	—
5	E-10303	836940	Torque Rod/Sway Bar Arm Bushing	12	—
6	N/A	K195-474	Torque Rod Assembly	4	—
7	N/A	K029-318	Sway Bar Arm Assembly	4	—
8	N/A	2SC212	Collar Bearing-McGuire	4	—
9	N/A	K06-454	Thrust Bushing	4	—
10	N/A	K272-187	Center Frame Bracket	2	—
11	N/A	K071-429	Frame Bracket Cap	4	—

KENWORTH SUSPENSION PARTS

TORQUE ARM BUSHING

Product Code 740

EUCLID NO.	REPLACES	A	B	HOLE DIA.
E-2226 (Rubber)	Clevite 227720 Steel Pin	2 3/4"	4 3/8"	21/32"
E-7639 (Poly)				
E-4664	Clevite 227722 Aluminum Pin			

TORQUE ARM BUSHING

Product Code 714

EUCLID NO.	REPLACES	A	B	C	HOLE DIA.
E-9323	Rockwell A-2297-V-4806 A-2297-K-1052	2 1/2"	4 1/8"	4 3/8"	21/32"

TORQUE ARM BUSHING

Product Code 740

EUCLID NO.	REPLACES	A	B	HOLE DIA.
E-10303	Clevite 836940	2 3/4"	4 3/8"	21/32"

TORQUE ARM BUSHING

Product Code 714

EUCLID NO.	REPLACES	A	B	C	HOLE DIA.
E-9321	Rockwell A-2297-K-1051	2 1/2"	4 1/8"	5 1/4"	29/32"
E-9322	A-2297-X-3664				1 1/32"

TORQUE ARM BUSHING

Product Code 714

EUCLID NO.	REPLACES	A	B	C	HOLE DIA.
E-9324	Gould 932420	2 13/16"	3 1/2"	4 3/8"	21/32"

TORQUE ARM BUSHING — TAPERED PIN

Product Code 740 1 1/4"-12 Thd.

EUCLID NO.	REPLACES	FOR MODEL
E-2228 (Rubber)	Kenworth 229610	Air Ride
E-8651 (Poly)		

1

KENWORTH SUSPENSION PARTS

TORQUE ARM MOUNTING NUT FOR TAPERED PIN BUSHING



Product Code 740

EUCLID NO.	REPLACES	THREAD	HEX	HIGH
E-2017	Kenworth 49NE2012	1 1/4"-12	1 13/16"	11/16"

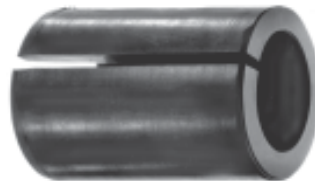
AIR SPRING BRACKET



Product Code 714

EUCLID NO.	REPLACES	FOR MODEL
E-5075	Kenworth K048-449	"8 Bag" Air Ride

STABILIZER BUSHING



Product Code 714

EUCLID NO.	REPLACES	O.D.	I.D.	LENGTH
E-4669 (Rubber)	Kenworth K066-58 (Old) K066-050 (New)	2 7/8"	2"	4"
E-7446A (Poly)				

ALIGNMENT SHIM

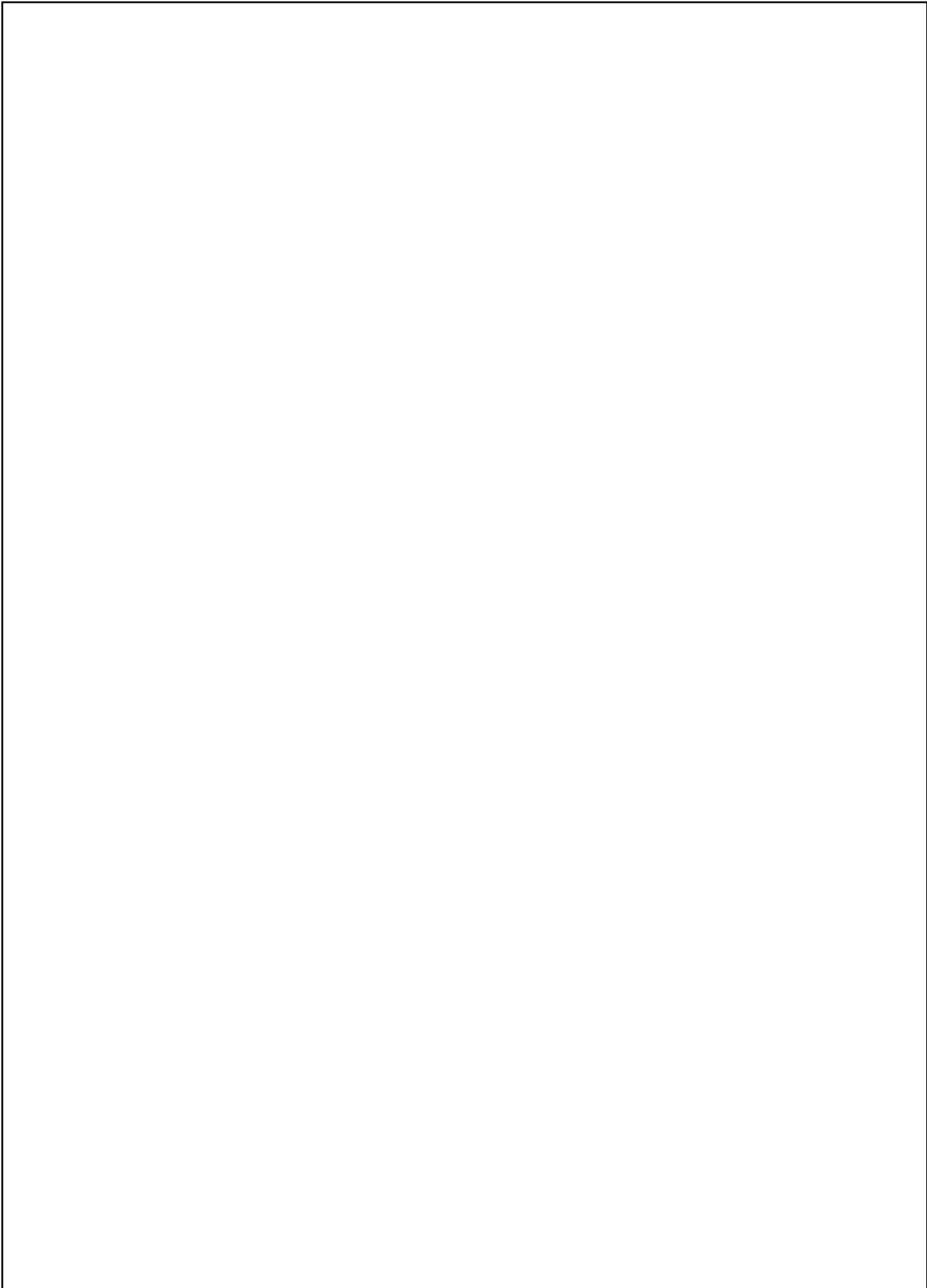


Product Code 714

EUCLID NO.	REPLACES	FOR MODEL	HOLE DIA.	WIDTH	THICK
E-5076	Kenworth K221-922-3	"Glide Ride" 4-Spring	3/4"	1 1/4"	1/8"

1

NOTES

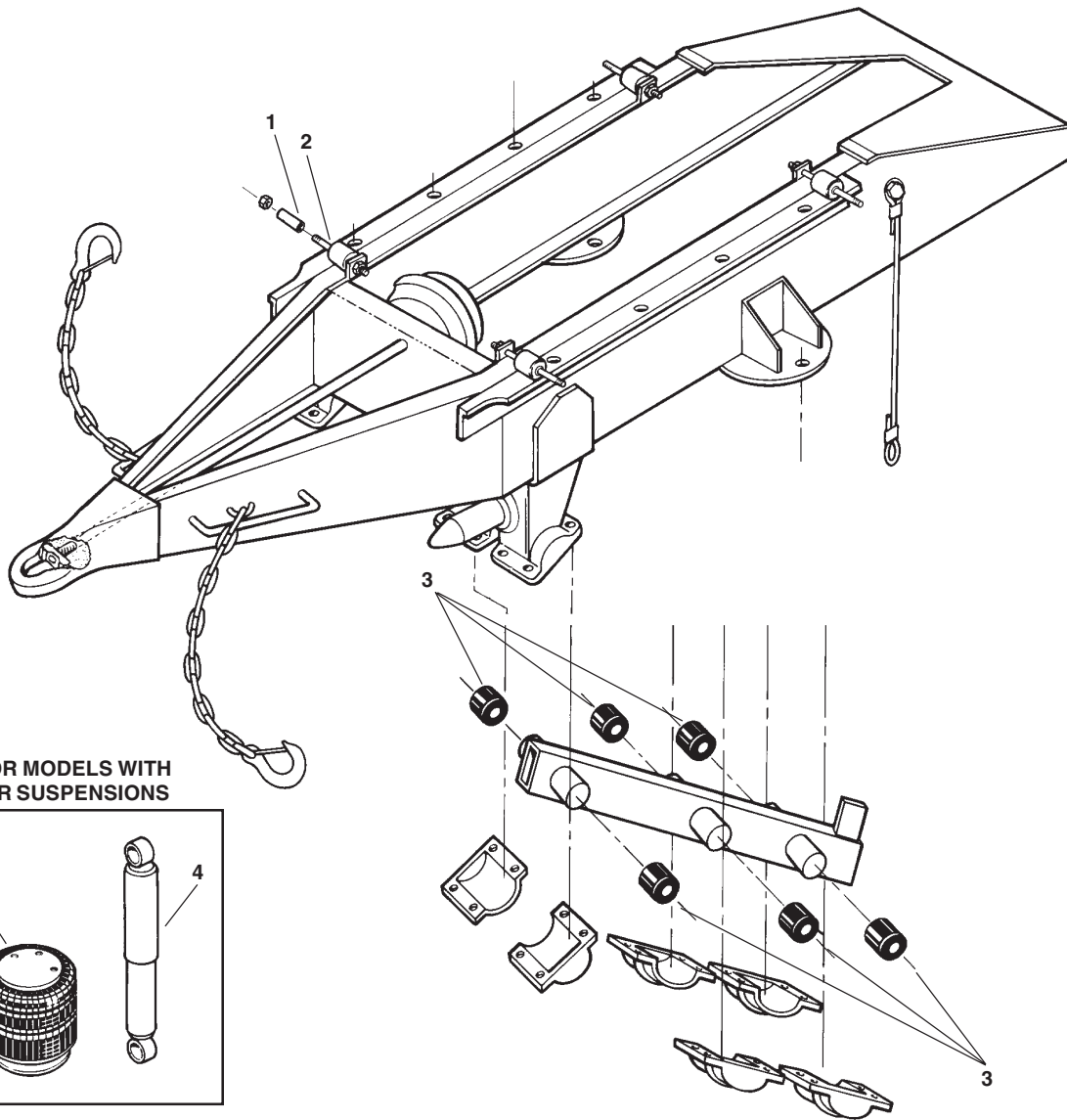


1

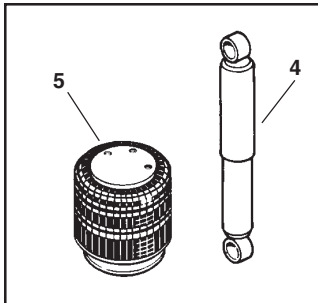
KWIK-LOC (JIFFLOX) DOLLY

Product Code 718

6000 and 7000 MODEL SERIES



FOR MODELS WITH
AIR SUSPENSIONS



KEY NO.	EUCLID NO.	REPLACES KWIK-LOCK NO.	DESCRIPTION	QUANTITY PER TANDEM	PAGE NO.
1	E-5458	529817	Fifth Wheel Roller Spacer	2	8-211
2	E-5457	529717	Fifth Wheel Roller Spacer Shaft	2	8-211
3	E-5453	657017	Trailing Arm Bushing	6	8-211
4	85315	CP-5222	Fleetline Shock Absorber	1	—
5	E-FS9082	CP-3281 CP-5125	Air Spring	1	9-53
	E-FS7429	CP-5223	Air Spring	1	9-16
	E-FS7123	53671 Supersedes E-FS7133	Air Spring	1	9-18

KWIK-LOC (JIFFLOX) DOLLY PARTS

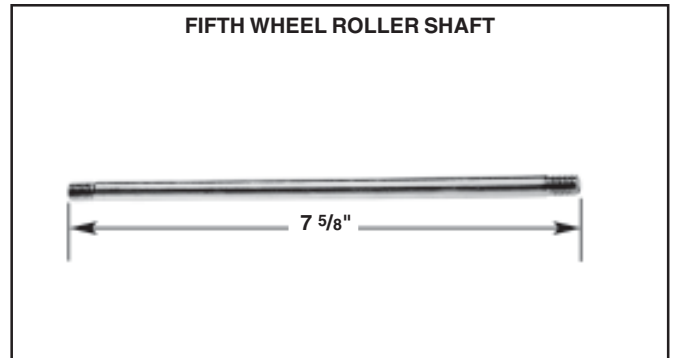
Product Code 718



EUCLID NO.	REPLACES	FOR MODEL
E-5453	Kwik-Loc 657017 Jifflox 65701	6000, 7000



EUCLID NO.	REPLACES	FOR MODEL
E-5458	Kwik-Loc 529817 Jifflox 52981	6000, 7000



EUCLID NO.	REPLACES	FOR MODEL
E-5457	Kwik-Loc 529717 Jifflox 52971	6000, 7000

1

If you detect any **errors** in this Catalog, please let us know.

We want the information to be as accurate as possible; we appreciate your help in making it so.

Write or call: **Catalog Corrections**
Euclid Industries, LLC
7975 Dixie Highway
Florence, KY 41042-2754
(859) 525-3500
catalogfeedback@arvinmeritor.com

